

2004 - 2009 Cadillac XLR: Service Bulletin: #01-07-30-032E: Transmission Oil Leaking From Transmission Vent

#01-07-30-032E: Transmission Oil Leaking From Transmission Vent (Replace Transmission Case Cover (Channel Plate) Gasket) - (Sep 29, 2008)

Subject: Transmission Oil
Leaking From
Transmission Vent
(Replace Transmission
Case Cover (Channel
Plate) Gasket)

Models: 1997-2009 GM
Passenger Cars and
Light Duty Trucks
(including Saturn)

with Hydra-Matic
4T65-E Automatic
Transmission (RPOs
MN3, MN7, M15, M76)

This bulletin is being revised to add the 2008 and 2009 model years. Please discard Corporate Bulletin Number #01-07-30-032D (Section 07 – Transmission/Transaxle).

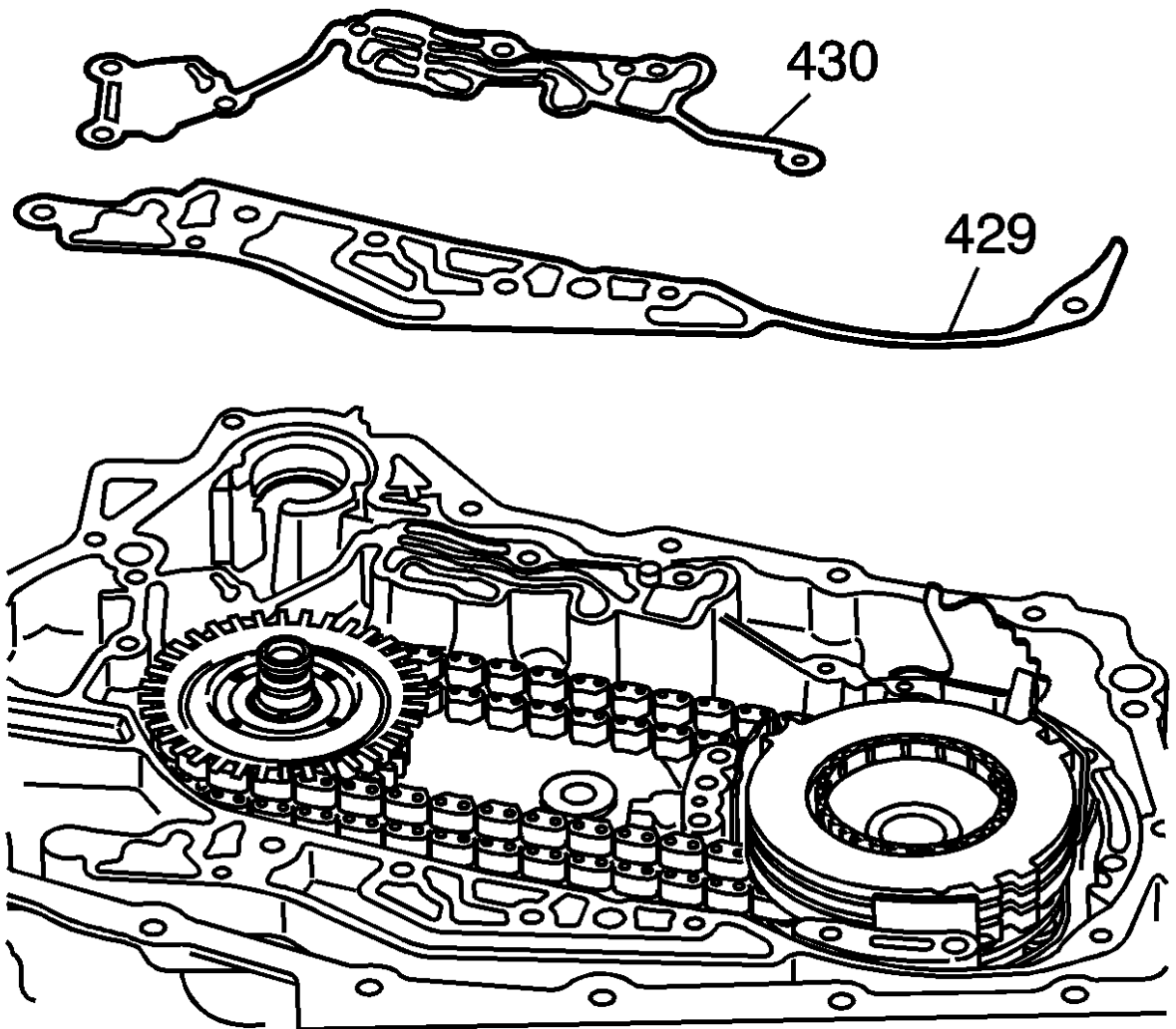
Condition

Some customers may comment on a transmission oil leak.

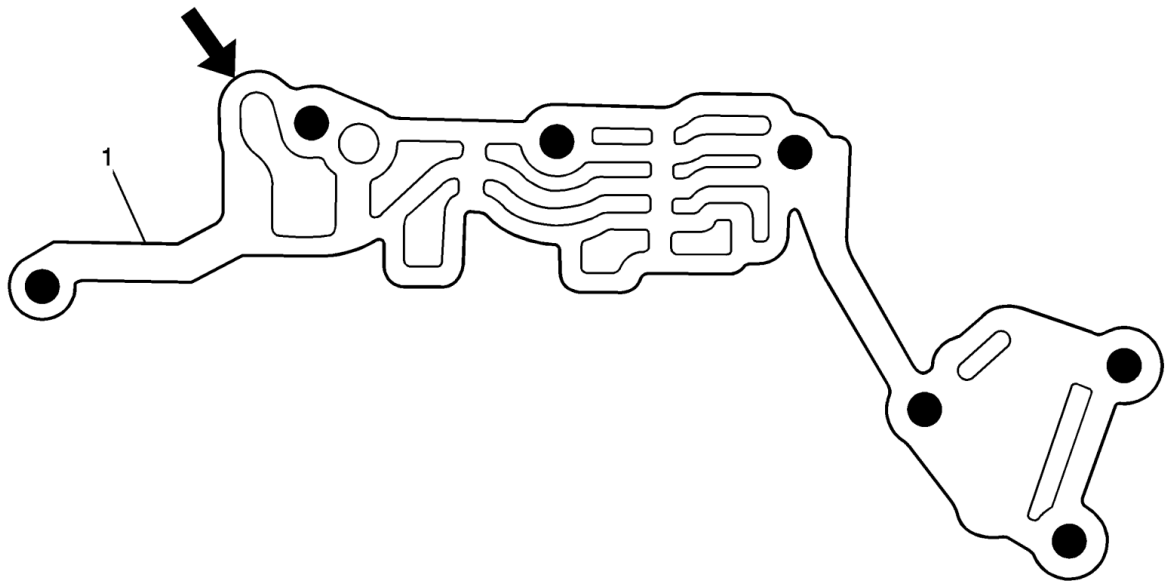
Cause

This condition may be caused by an improperly torqued channel plate gasket.

Correction



To correct this condition, replace the case cover (channel plate) gaskets (429 and 430). Refer to Unit Repair publication in SI of the appropriate vehicle being serviced.



Visual inspection of the upper gasket (1) will reveal damage at the referenced area.

Parts Information

Part Number	Description	Qty
24206391	Gasket Kit, A/Trns Case Cvr	1

Online URL:

<https://www.xlr-net.com/knowledgebase/article/2004-2009-cadillac-xlr-service-bulletin-01-07-30-032e-transmission-oil-leaking-from-transmission-vent-129.html>